



PHILIPS

GERÄTEHANDBUCH BAND III

BEBILDERTE ERSATZTEILLISTE

**LAUTSPRECHER/
KONTROLLEINHEIT
AF - 4620
VOM
VHF - SYSTEM
VRC - 4622**

1. ALLGEMEINES

2. ERSATZTEILLISTE

3. ABBILDUNGEN

4. ÜBERSETZUNGSLISTE
ENGLISCH/DEUTSCH

LOUDSPEAKER CONTROL UNIT

AF-4620

9551 690 55300

REPAIR PARTS LIST

NOVEMBER 1986

MANUAL No.

HGT5-2121e



© HOLLANDSE SIGNAALAPPARATEN B.V., 1986
- THIS INFORMATION CARRIER CONTAINS
PROPRIETARY INFORMATION WHICH MAY NOT
BE USED FOR OTHER PURPOSES THAN THOSE
FOR WHICH IT HAS BEEN RELEASED, NOR
BE REPRODUCED OR DISCLOSED TO THIRD
PARTIES, WITHOUT THE PRIOR WRITTEN
CONSENT OF HOLLANDSE SIGNAALAPPARATEN
B.V., THE NETHERLANDS.

Repair parts List AF-4620

PREFACE

1) General

This manual is a list of items authorized for operator (first echelon) organizational (second echelon), field (third echelon) and depot (fourth echelon) maintenance. The unit is divided in subassemblies as indicated on page 3. From the subassemblies, the maintenance repair parts are listed in a alpha numerical order.

The fastening material of a repair part is listed directly below this repair part and the quantities of this fastening material are given for one repair part only. Fastening material for parts which are not repair parts, are listed as the maintenance repair parts mentioned above.

2) Explanation of columns

Column 1 lists the NATO stocknumber of the item

Column 2 lists the Manufacturing Code Number of the item

Column 3 lists the official name of the item and any additional description required for supply operations

Column 4 lists the quantities of the item, used in the next higher assembly of this item

Unless otherwise indicated, the quantities are given in pieces.

Column 5 lists the echelon which is authorized to make a request for the item

Column 6 lists the number of the figure, which shows the location of the item

Column 7 lists the key number of the item on the figure, mentioned in column 6

Repair parts List AF-4620

3) Abbreviations

The abbreviations listed below may appear in this manual

a-alloy	aluminium alloy
br	brass
bz	bronze
cd-pltd	cadmium-plated
corr-res-s	corrosion-resistant steel
cr	chromium
fil-hd	fillister head
fl-fil-hd	flat fillister head
id	inside diameter
l	length
ni	nickel
ni-pltd	nickel plated
od	outside diameter
p-bz	phosphor bronze
ru	rubber
s	steel
spst	single-pole, single-throw
spg-s	spring-steel
thk	thick

Repair parts List AF-4620

LOUDSPEAKER CONTROL UNIT AF-4620 type 9551 690 55300

This equipment consists of the following subassemblies:

CABINET, ELECTRICAL EQUIPMENT	page	4
FRAME ASSEMBLY, MODULE 41	page	5
MODULE 140	page	16
LIST OF FIGURES AF-4620	page	22

Repair parts List AF-4620

Line No.	NATO Stocknumber	Mfg. Code No.	Description	Qua	Ech	Fig No	Key No	Remarks
	1	2	3	4	5	6	7	8
1	5820-17-052-4080	3522 143 04110	<u>CABINET, ELECTRICAL EQUIPMENT</u> <u>consisting of the following spare</u> <u>parts:</u>	1	3	1	2	
2		3522 143 04120	CABINET, ELECTRICAL EQUIPMENT	1	2	2	1	
3	5340-17-034-3464	3522 114 24100	CLAMP, BRIDGE	8	4	2	3	
4	5315-17-052-7844	3522 114 16400	PIN, PILOT	2	4	2	5	
5		3522 500 16355	<u>secured with:</u> NUT, HEXAGON; corr-res-s; type BM 6 NEN 2334	1	4			
6	5310-17-052-4037	3522 114 37100	WASHER, FLAT; cr-ni-s; 12 mm od, 6,2 mm id, 0,5 mm thk	1	4			
7		2522 613 12014	WASHER, LOCK; corr-res-s; type B 6,1 NEN 1197	1	4			
8	5305-17-034-3461	2522 043 18049	SCREW, SET; corr-res-s; type AM 4 x 8 NEN 2343	8	2	2	2	
9	3040-17-034-3460	3522 114 24000	SHAFT, STRAIGHT	8	4	2	4	

Repair parts List AF-4620

Line No.	NATO Stocknumber	Mfg. Code No.	Description	Qua	Ech	Fig No	Key No	Remarks
	1	2	3	4	5	6	7	8
1	5820-17-052-4095	3522 154 39400	<u>FRAME ASSEMBLY</u> consisting of the following spare parts:	1	3	1	1	
2	5340-17-033-0219	3522 114 09100	BLOCK <u>secured with:</u>	2	4	3	4	
3		2522 001 17171	SCREW, FL-FIL-HD; corr-res-s; type AM 4 x 10 NEN 1602	2	4			
4	5310-17-033-6249	2522 613 03009	WASHER, LOCK; p-bz ni-pltd; type B 4,1 NEN 1197	2	4			
5	5340-17-033-0220	3522 114 09300	BLOCK; cr-ni-s; to secure stacked units	1	2	3	12	
6		3522 105 42920	BRACKET, ANGLE <u>secured with:</u>	3	4	5	8	
7		2522 001 17096	SCREW, FL-FIL-HD; corr-res-s; type AM 3 x 5 NEN 1602	2	4			
8	5340-12-153-4373	2512 700 12033	CABLE CLIP <u>secured with:</u>	1	3	5	15	
9		2522 401 09008	NUT, HEXAGON; corr-res-s; type M 3 NEN 1560	1	3			

Repair parts List AF-4620

Line No.	NATO Stocknumber	Mfg. Code No.	Description	Qua	Ech No	Fig No	Key No	Remarks
	1	2	3	4	5	6	7	8
1		2522 001 17099	<u>FRAME ASSEMBLY (continued)</u> SCREW, FL-FIL-HD; corr-res-s; type AM 3 x 10 NEN 1602	1	3			
2		2522 600 27018	WASHER, FLAT; corr-res-s; type M 3	1	3			
3		2522 613 12005	WASHER, LOCK; corr-res-s; type B 3,1 NEN 1197	1	3			
4	5340-12-154-1890	2512 700 12069	CABLE CLIP	2	3	5	3	
5		2522 401 09008	<u>secured with:</u> NUT, HEXAGON; corr-res-s;	1	3			
6		2522 187 21068	type M 3 NEN 1560 SCREW, FL-HD; corr-res-s; type AM 3 x 12 NEN 2329	1	3			
7		2522 600 27018	WASHER, FLAT; corr-res-s; type M 3	1	3			
8		2522 613 12005	WASHER, LOCK; corr-res-s; type B 3,1 NEN 1197	1	3			
9	5925-00-934-3098	3522 023 13820	CIRCUIT BREAKER; spst (SK 3)	1	3	4	6	
10		3522 154 57500	CLAMP; cr-ni-s; to secure stacked units	1	2	3	3	
11	5315-17-033-0183	3522 114 00400	<u>secured with:</u> PIN, SHOULDER, HEADLESS; cr-ni-s	2	2			

Repair parts List AF-4620

Line No.	NATO Stocknumber	Mfg. Code No.	Description	Qua	Ech	Fig No	Key No	Remarks
	1	2	3	4	5	6	7	8
1	5340-17-033-0203	3522 154 01200	<u>FRAME ASSEMBLY (continued)</u> POST, ELECTRICAL-MECHANICAL EQUIPMENT; consisting of stud, washer and nut	1	2			
2		2522 634 10006	RING, RETAINING; corr-res-spg-s; type 3,2 DIN 6799	2	2			
3	5935-00-844-4223	3522 020 38180	CONNECTOR, RECEPTACLE, ELECTRICAL; 8male contacts; type MS3112E-16-8P; bayonet; on Front	2	2	3	5	
4		2522 001 17098	<u>secured with:</u> SCREW, FL-FIL-HD; corr-res-s; type AM 3 x 8 NEN 1602	4	4			
5	5310-17-015-5052	2522 613 03005	WASHER, LOCK; p-bz ni-pltd; type B 3,1 NEN 1197	4	4			
6	5935-00-835-3031	3522 020 38190	CONNECTOR, RECEPTACLE, ELECTRICAL; 26male contacts; bayonet; type MS3112E-16-26P; on Front	2	4	3	7	
7		2522 001 17098	<u>secured with:</u> SCREW, FL-FIL-HD; corr-res-s; type AM 3 x 8 NEN 1602	4	4			
8	5310-17-015-5052	2522 613 03005	WASHER, LOCK; p-bz ni-pltd; type B 3,1 NEN 1197	4	4			

Repair parts List AF-4620

Line No.	NATO Stocknumber	Mfg. Code No.	Description	Qua	Ech No	Fig No	Key No	Remarks
	1	2	3	4	5	6	7	8
1	5935-00-061-6092	3522 020 72100	<u>FRAME ASSEMBLY (continued)</u> CONNECTOR, RECEPTACLE, ELECTRICAL; 15 female contacts; at rearside of chassis	2	4	5	4	
2		2522 001 17774	<u>secured with:</u> SCREW, FL-FIL-HD; corr-res-s; type AM 2,5 x 4 NEN 1602	2	4			
3		2522 613 12063	WASHER, LOCK; corr-res-s; type 2,6 x 5,1	2	4			
4	5340-17-052-4161	3522 114 08910	COVER; for Knob	2	2	3	19	
5		3522 114 11000	COVER, ELECTRICAL CONNECTOR; for connectors	4	3	3	6	
6		2522 001 17045	<u>secured with:</u> SCREW, FL-FIL-HD; corr-res-s; type AM 2 x 6 NEN 1602	1	3			
7	5310-17-033-4820	2522 613 03001	WASHER, LOCK; p-bz ni-pltd; type B 2,1 NEN 1197	1	3			
8		3522 143 10250	FRONT; al-alloy; for module 41	1	4	3	1	
9	5965-17-052-4708	3522 105 47090	GRILLE, LOUDSPEAKER	1	4	3	20	
10	5325-17-052-4086	2422 015 09039	GROMMET, RUBBER	1	4	5	16	
11	5355-17-052-4281	3522 154 03810	KNOB	1	2	3	14	
12	5355-17-050-8191	3522 154 03910	KNOB	1	2	3	2	
13	5961-17-036-9378	9390 091 70002	INSULATING MATERIAL; for GR 1	1	4	5	6	

Repair parts List AF-4620

Line No.	NATO Stocknumber	Mfg. Code No.	Description	Qua	Ech No	Fig No	Key No	Remarks
	1	2	3	4	5	6	7	8
1	6210-00-926-7786	3522 020 38000	<u>FRAME ASSEMBLY (continued)</u> LAMPHOLDER	1	2	3	8	
2	6240-00-940-7070	9234 635 18313	LAMP, INCANDESCENT; 14 V 80 mA (LA1)	1	2	3	10	
3	6210-17-032-9973	3522 020 38010	LENS, INDICATOR LIGHT; red	1	2	3	9	
4	5965-17-052-4707	3522 105 47080	LOCKING, PLATE; for Loudspeaker LS1	1	4	4	4	
5	5965-17-042-3586	3522 020 81450	LOUDSPEAKER, PERMANENT MAGNET; 5 ohm; 4 W (LS1)	1	4	4	1	
6		2522 001 17172	<u>secured with:</u> SCREW, FL-FIL-HD; corr-res-s; type AM 4 x 12 DIN 84	4	4			
7	5365-17-036-9409	3522 105 47060	SPACER, SLEEVE; cr-ni-s	4	4			
8		2522 613 12009	WASHER, LOCK; corr-res-s; type B 4,1 NEN 1197	4	4			
9	5330-17-033-5825	2622 080 30708	O-RING; ru; 10,31 mm od. 6,75 mm id, 1,78 mm thk	1	4	3	18	
10	5330-17-033-5209	2622 080 30993	O-RING; ru; 29,05 mm od, 23,81 mm id, 2,62 mm thk, for Connectors PD 1 thru PD 4	4	4			
11	5315-17-033-0184	3522 114 00500	PIN, SHOULDER, HEADED; cr-ni-s; to guide stacked units	2	4	3	16	

Repair parts List AF-4620

Line No.	NATO Stocknumber	Mfg. Code No.	Description	Qua	Ech	Fig No	Key No	Remarks
	1	2	3	4	5	6	7	8
1		3522 105 46380	<u>FRAME ASSEMBLY (continued)</u> PLATE	2	3	5	10	
2		2522 001 17774	<u>secured with:</u> SCREW, FL-FIL-HD; corr-res-s; type AM 2,5 x 4 NEN 1602	2	3			
3	5330-17-052-4900	3522 105 47050	PLATE; for Loudspeaker LS 1	2	4	4	2	
4		3522 143 07630	PLATE ASSEMBLY	1	4	5	1	
5		2522 401 09011	<u>secured with:</u> NUT, HEXAGON; corr-res-s;	4	4			
6		2522 001 17449	type M 4 NEN 1560 SCREW, FL-FIL-HD; corr-res-s;	4	4			
7		2522 613 12009	type AM 4 x 16 NEN 1602 WASHER, LOCK; corr-res-s;	4	4			
8	5820-17-052-4085	3522 147 50520	type B 4,1 NEN 1197 PLATE ASSEMBLY, MODULE, 41 A	1	3	5	9	
9		2522 001 17096	<u>secured with:</u> SCREW, FL-FIL-HD; corr-res-s;	6	3			
10		2522 600 64016	type AM 3 x 5 NEN 1602 WASHER, FLAT; corr-res-s;	6	3			
11		2522 613 12005	type 3,2 NEN 2270 WASHER, LOCK; corr-res-s; type B 3,1 NEN 1197	6	3			

Repair parts List AF-4620

Line No.	NATO Stocknumber	Mfg. Code No.	Description	Qua	Ech No	Fig No	Key No	Remarks
	1	2	3	4	5	6	7	8
			<u>PLATE ASSEMBLY, MODULE, 41 A part of</u>					
			<u>FRAME ASSEMBLY (continued)</u>					
1	5905-01-031-9808	2322 151 51001	RESISTOR, FIXED, FILM; 100 ohm 1 %; (R10)	1	4	6		
2	5905-01-021-1491	2322 151 51002	RESISTOR, FIXED, FILM; 1 kohm 1 %; (R6, R7)	2	4	6		
3	5905-01-038-6293	2322 151 51004	RESISTOR, FIXED, FILM; 100 kohm 1 %; (R1 thru R5, R8)	6	4	6		
4	5905-01-021-1493	2322 151 58252	RESISTOR, FIXED, FILM; 8,25 kohm 1 %; (R9)	1	4	6		
5		2222 630 03472	CAPACITOR, FIXED, CERAMIC DIELECTRIC; 4700 pF 10 %; 100 V; (C1, C2 mounting on PD1, C3, C4, mounting on PD2, C5, C6, mounting on PD3, C7, C8 mounting on PD4	8	4	4		

Repair parts List AF-4620

Line No.	NATO Stocknumber	Mfg. Code No.	Description	Qua	Ech	Fig No	Key No	Remarks
	1	2	3	4	5	6	7	8
1		3522 154 37300	<u>FRAME ASSEMBLY (continued)</u> PLATE, DESIGNATION; al-alloy; on Front	1	3	3	15	
2		2522 001 17044	<u>secured with:</u> SCREW, FL-FIL-HD; corr-res-s; type AM 2 x 5 NEN 1602	4	3			
3	5310-17-033-4820	2522 613 03001	WASHER, LOCK; p-bz ni-pltd; type B 2,1 NEN 1197	4	3			
4		3522 147 50620	PLUG, PRINT SHEET ASSEMBLY; for Module 140	1	4	5	13	
5		2522 401 09005	<u>secured with:</u> NUT, HEXAGON; corr-res-s; type M 2 NEN 1560	5	4			
6		2522 114 02960	SCREW, CAPTIVE; cr-ni-s; type AM 4 x 12	1	4			
7		2522 187 21023	SCREW, FL-HD; corr-res-s; type AM 2 x 6 NEN 2329	5	4			
8		2522 600 27151	WASHER, FLAT; corr-res-s; type A 2,2 NEN 2269	5	4			
9		2522 613 12001	WASHER, LOCK; corr-res-s; type B 2,1 NEN 1197	5	4			
10		3522 020 83490	RELAY; 12 V 1 W	1	4	7	3	

Repair parts List AF-4620

Line No.	NATO Stocknumber	Mfg. Code No.	Description	Qua	Ech	Fig No	Key No	Remarks
	1	2	3	4	5	6	7	8
			<u>PLUG, PRINT SHEET ASSEMBLY part of</u>					
			<u>FRAME ASSEMBLY (continued)</u>					
1	5935-17-052-4514	4322 027 73400	TERMINAL BLOCK; 1 x 3 poles	2	4	7	1	
2	5935-17-052-4519	4322 027 77820	TERMINAL BLOCK; 1 x 2 poles	1	4	7	2	
3	5935-17-052-4504	4322 027 77830	TERMINAL BLOCK; 1 x 4 poles	1	4	7	4	

Repair parts List AF-4620

Line No.	NATO Stocknumber	Mfg. Code No.	Description	Qua	Ech	Fig No	Key No	Remarks
	1	2	3	4	5	6	7	8
			<u>FRAME ASSEMBLY (continued)</u>					
1	5905-17-906-1028	3522 023 04390	RESISTOR, VARIABLE; 100 kohm 10 %;2W; (R1)	1	4	4	9	
2	5305-17-032-9886	3522 114 00300	SCREW, FL-FIL-HD; cr-ni-s; M 5	1	4	3	17	
3	5305-17-033-0189	3522 114 01000	SCREW, SHOULDERED; cr-ni-s; M 5	1	2	3	11	
4	5330-17-033-0204	3522 114 00100	SEAL, RUBBER STRIP; ru nitril, black 249 x 49 x 4 mm	1	4	4	11	
5	5330-17-052-7782	3522 105 47070	SEALING, PLATE; for Loudspeaker LS 1	1	4	4	3	
6	5961-00-935-0148	9330 492 10112	SEMICONDUCTOR DEVICE, DIODE; type BYX 38-600 (GR1)	1	4	5	5	
7	5930-17-905-9795	3522 023 06490	SWITCH, ROTARY; 2 poles 3 throws	1	3	4	7	
8	5930-99-051-0551	3522 023 13690	SWITCH, TOGGLE; spst; 250 V, 3 A	1	3	4	10	
9	5940-17-029-1747	2422 015 01004	TERMINAL, LUG; for GR 1	1	4	5	7	
10	5940-17-705-1943	2422 015 01012	TERMINAL, LUG, DOUBLE; br; type M 3 <u>secured with:</u>	2	4	4	8	
11		2522 001 08096	SCREW, FL-FIL-HD; br ni-pltd type M 3 x 5	1	4			
12		2522 613 12005	WASHER, LOCK; corr-res-s; type 3,1 x 6,2	1	4			
13	5310-17-033-0188	3522 114 00900	WASHER, FLAT; p-bz; 17 mm od, 9 mm id 0,2 mm thk	1	4	3	13	

Repair parts List AF-4620

Line No.	NATO Stocknumber	Mfg. Code No.	Description	Qua	Ech	Fig No	Key No	Remarks
	1	2	3	4	5	6	7	8
1		3522 143 05740	<u>FRAME ASSEMBLY (continued)</u> WIRING HARNESS; no 1	1	4	5	17	
2		3522 143 05760	WIRING HARNESS; no 2	1	4	5	12	
3		3522 143 05780	WIRING HARNESS; no 3	1	4	5	2	
4		3522 143 05800	WIRING HARNESS; no 4	1	4	5	11	
5		3522 143 05720	WIRING HARNESS; no 5	1	4	5	14	

Repair parts List AF-4620

Line No.	NATO Stocknumber	Mfg. Code No.	Description	Qua	Ech	Fig No	Key No	Remarks
	1	2	3	4	5	6	7	8
1	5820-17-052-4084	3522 143 10150	MODULE, 140 consisting of the following spare parts:	1	3	1	3	
2	5820-17-052-4099	3522 147 50430	AMPLIFIER, AUDIO FREQUENCY, 140 B secured with:	1	4	9	1	
3	5305-17-033-8433	2522 001 08044	SCREW, FL-FIL-HD; br ni-pltd; type AM 2 x 5 NEN 1602	4	4			
4	5310-17-036-0809	2522 600 10151	WASHER, FLAT; br ni-pltd;	4	4			
5	5310-17-033-4820	2522 613 03001	type A 2,2 NEN 2269 WASHER, LOCK; p-bz ni-pltd;	4	4			
6		2222 630 01272	type B 2,1 NEN 1197 CAPACITOR, FIXED, CERAMIC DIELECTRIC;	2	4	9		
7		2222 630 03272	2700 pF 10 %; 100 V; (C6, C7) CAPACITOR, FIXED, CERAMIC DIELECTRIC;	1	4	9		
8	5910-17-052-6661	2222 122 55228	2700 pF 10 %; 100 V; (C8) CAPACITOR, FIXED, ELECTROLYTIC;	1	4	9		
9		2222 123 15151	2,2 uF 16 V (C2) CAPACITOR, FIXED, ELECTROLYTIC;	2	4	9		
10		2222 123 15689	150 uF 15 V (C4, C5) CAPACITOR, FIXED, ELECTROLYTIC;	1	4	9		
11		2222 123 16229	68 uF 15 V (C3) CAPACITOR, FIXED, ELECTROLYTIC;	1	4	9		
			22 uF 25 V (C1)					

Repair parts List AF-4620

Line No.	NATO Stocknumber	Mfg. Code No.	Description	Qua	Ech	Fig No	Key No	Remarks
	1	2	3	4	5	6	7	8
1	5935-17-052-8234	2422 062 10302	AMPLIFIER, AUDIO FREQUENCY, 140 B part of <u>MODULE, 140 (continued)</u>	1	4	9	6	
2		2422 062 10402	CONNECTOR, RECEPTACLE, ELECTRICAL; 1 x 3 poles	1	4	9	3	
3		3522 020 05180	INDUCTOR, 1000 uH; 5 % (L1, L2)	2	4	9		
4	5970-17-036-0255	3522 114 02800	INSULATOR, PLATE; for Capacitor C6, C7	2	4	9	5	
5	5999-17-050-2871	3522 114 11100	INSULATOR, PLATE; for Capacitor C8	1	4	9	2	
6	5970-17-009-9466	9390 004 90002	INSULATOR, RING; for Transistor TS 1 thru TS 4	4	4	9	4	
7	5905-01-016-0001	2322 151 51213	RESISTOR, FIXED, FILM; 12,1 kohm 1%; (R3)	1	4	9		
8	5905-01-086-5562	2322 151 51471	RESISTOR, FIXED, FILM; 147 ohm 1%; (R6, R8)	2	4	9		
9	5905-01-038-7835	2322 151 51782	RESISTOR, FIXED, FILM; 1,78 kohm 1%; (R4)	1	4	9		
10	5905-01-041-2793	2322 151 51783	RESISTOR, FIXED, FILM; 17,8 kohm 1%; (R2)	1	4	9		
11	5905-01-059-6534	2322 151 51789	RESISTOR, FIXED, FILM; 17,8 ohm 1%; (R10 thru R12)	3	4	9		

Repair parts List AF-4620

Line No.	NATO Stocknumber	Mfg. Code No.	Description	Qua	Ech No	Fig No	Key No	Remarks
	1	2	3	4	5	6	7	8
			AMPLIFIER, AUDIO FREQUENCY, 140 B <u>part of MODULE, 140 (continued)</u>					
1	5905-01-041-2780	2322 151 52152	RESISTOR, FIXED, FILM; 2,15 kohm 1 %; (R7)	1	4	9		
2	5905-01-038-7843	2322 151 53832	RESISTOR, FIXED, FILM; 3,82 kohm 1 %; (R1)	1	4	9		
3	5905-01-055-6908	2322 151 54649	RESISTOR, FIXED, FILM; 46,4 ohm 1 %; (R5)	1	4	9		
4	5961-00-938-1135	3522 030 01430	SEMICONDUCTOR DEVICE, DIODE; type BAW 62 (GR1 thru GR4)	4	4	9		
5	5961-17-027-6034	9330 116 30112	TRANSISTOR; type BFY 55 (TS2, TS3)	2	4	9		
6	5961-00-949-1440	9330 226 40112	TRANSISTOR; type 2N2905 (TS1, TS4)	2	4	9		

Repair parts List AF-4620

Line No.	NATO Stocknumber	Mfg. Code No.	Description	Qua	Ech	Fig No	Key No	Remarks
	1	2	3	4	5	6	7	8
1		3522 114 06200	<u>MODULE, 140 (continued)</u> BRACKET; cd-pltd	1	4	10	3	
2		3522 114 06800	BRACKET; cd-pltd	1	4	10	2	
3		3522 105 46660	COVER; for Module <u>secured with:</u>	1	4	10	1	
4		2522 001 17097	SCREW, FL-FIL-HD; corr-res-s; type AM 3 x 6 NEN 1602	2	4			
5		2522 613 12005	WASHER, LOCK; corr-res-s; type B 3,1 NEN 1197	2	4			
6	5315-17-052-4490	3522 114 04300	PIN, PILOT; cr ni-s; M 2; tot. 1 12,5 mm	1	4	10	4	
7	5315-17-052-4489	3522 114 04500	PIN, PILOT; cr ni-s; M 2; tot. 1 12,5 mm	2	4	10	6	
8	5340-17-052-4518	3522 114 06300	SPACER; cr-ni-s	1	4	10	5	
9	5820-17-052-4098	3522 147 50320	TRANSISTOR ASSEMBLY, 40 A <u>secured with:</u>	1	4	8	1	
10	5305-17-033-8433	2522 001 08044	SCREW, FL-FIL-HD; br ni-pltd; type AM 2 x 5 NEN 1602	4	4			
11	5310-17-036-0809	2522 600 10151	WASHER, FLAT; br ni-pltd; type A 2,2 NEN 2269	4	4			
12	5310-17-033-4820	2522 613 03001	WASHER, LOCK; p-bz ni-pltd; type B 2,1 NEN 1197	4	4			

Repair parts List AF-4620

Line No.	NATO Stocknumber	Mfg. Code No.	Description	Qua	Ech	Fig No	Key No	Remarks
	1	2	3	4	5	6	7	8
1	5820-17-052-4105	3522 147 50310	TRANSISTOR ASSEMBLY, 40 A part of MODULE, 140 (continued) BOARD ASSEMBLY	1	4	8	2	
2		2522 405 01019	secured with: NUT, HEXAGON; br ni-pltd;	3	4			
3		2522 001 08777	type M 2,5 NEN 1560	3	4			
4	5310-17-047-1084	2522 600 10137	SCREW, FL-FIL-HD; br ni-pltd; type AM 2,5 x 8 NEN 1602	3	4			
5	5310-17-033-8410	2522 613 03003	WASHER, FLAT; br ni-pltd; type 2,5 x 6,5 NEN 2269	3	4			
6		2222 630 01272	WASHER, LOCK; p-bz ni-pltd; type B 2,7 NEN 1197	1	4	8		
7	5910-17-052-6658	2222 122 57337	CAPACITOR, FIXED, CERAMIC DIELECTRIC; 2700 pF 10 %; 100 V; (C1)	1	4	8		
8	5935-17-052-8235	2422 062 10202	CAPACITOR, FIXED, ELECTROLYTIC; 0,33 uF 50 %; 40 V; (C2)	1	4	8	9	
9	5935-17-052-8234	2422 062 10302	CONNECTOR; RECEPTACLE, ELECTRICAL; 1 x 2 poles	1	4	8	11	
10	5999-17-052-5269	3522 105 42960	CONNECTOR, RECEPTACLE, ELECTRICAL; 1 x 3 poles HEATSINK	1	4	8	3	

Repair parts List AF-4620

Line No.	NATO Stocknumber	Mfg. Code No.	Description	Qua	Ech	Fig No	Key No	Remarks
	1	2	3	4	5	6	7	8
1		3522 105 47130	<u>TRANSISTOR ASSEMBLY, 40 A part of</u> <u>MODULE, 140 (continued)</u> INSULATOR, DISK; for Transistor TS1, TS2	2	4	8	8	
2	5970-17-036-0255	3522 114 02800	INSULATOR, PLATE; for Capacitor C1	1	4	8	10	
3	5961-17-027-6034	9330 116 30112	TRANSISTOR; type BFY 55 (TS1, TS2) <u>secured with:</u>	2	4	8	7	
4		3522 023 14000	CLAMP, BOTTOM	1	4	8	5	
5		3522 023 14010	CLAMP, TOP	1	4	8	6	
6		2522 405 01019	NUT, HEXAGON; br ni-pltd; type M 2,5 NEN 1560	2	4			
7		2522 001 08778	SCREW, FL-FIL-HD; br ni-pltd; type AM 2,5 x 10 NEN 1602	2	4			
8	5310-17-033-8410	2522 613 03003	WASHER, LOCK; p-bz ni-pltd; type B 2,7 NEN 1197	2	4			
9		3522 023 14020	WASHER, MICA	1	4	8	4	

Repair parts List AF-4620

List of Figures AF-4620

- Fig. 1 LOUDSPEAKER/CONTROL UNIT AF-4620
- 2 CABINET, ELECTRICAL EQUIPMENT (version 2)
- 3 FRONT, LOUDSPEAKER/CONTROL UNIT AF-4620
- 4 FRONT, AF-4620 (inside view)
- 5 FRAME ASSEMBLY, AF-4620
- 6 PLATE ASSEMBLY, 41A
- 7 PLUG PRINT SHEET ASSEMBLY FOR MODULE 140
- 8 TRANSISTOR ASSEMBLY 40A
- MODULE 140
- 9 MODULE 140B, AMPLIFIER, AUDIO FREQUENCY
- 10 MODULE 140, (exploded view)

Repair parts list AF-4620

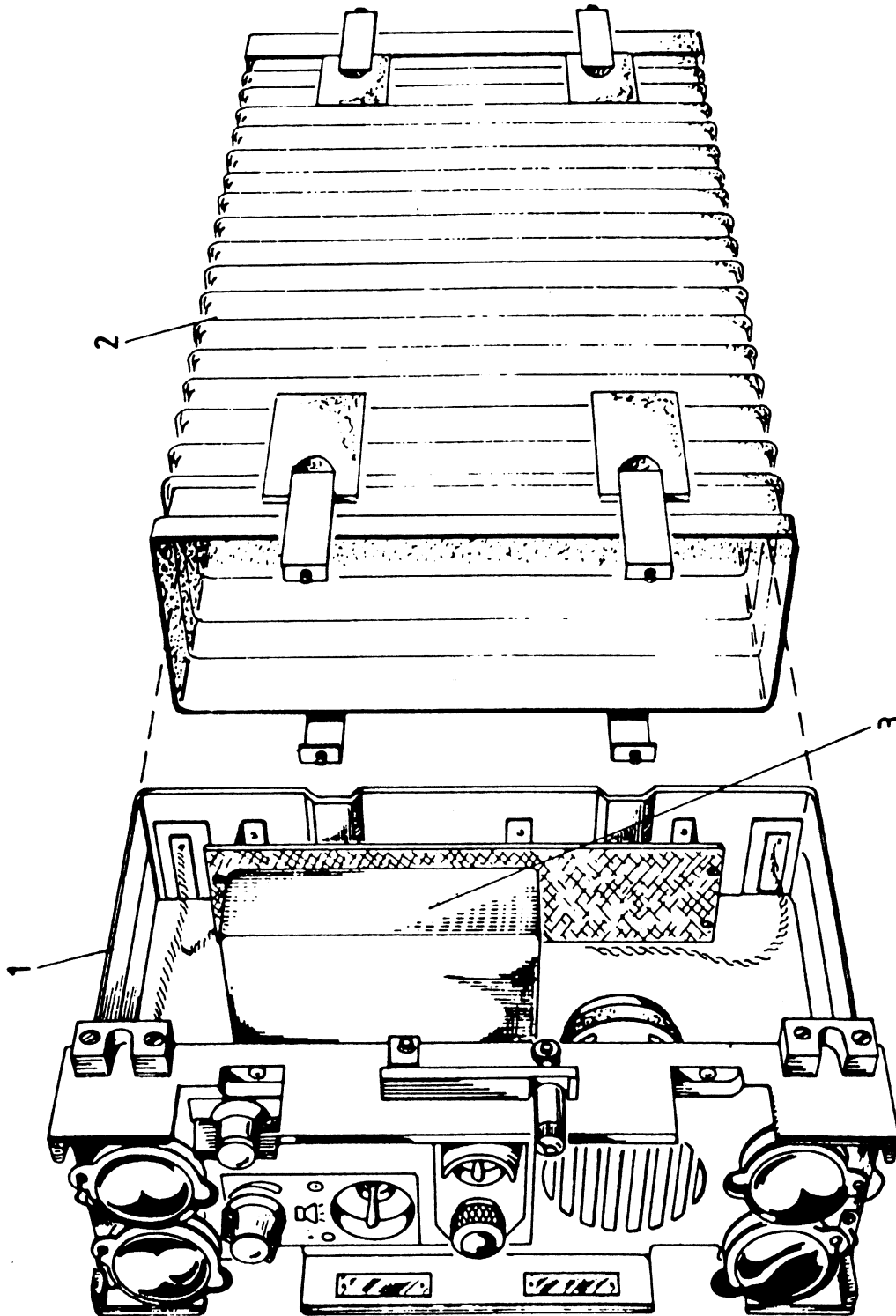


FIG. 1 - LOUDSPEAKER / CONTROL UNIT AF-4620

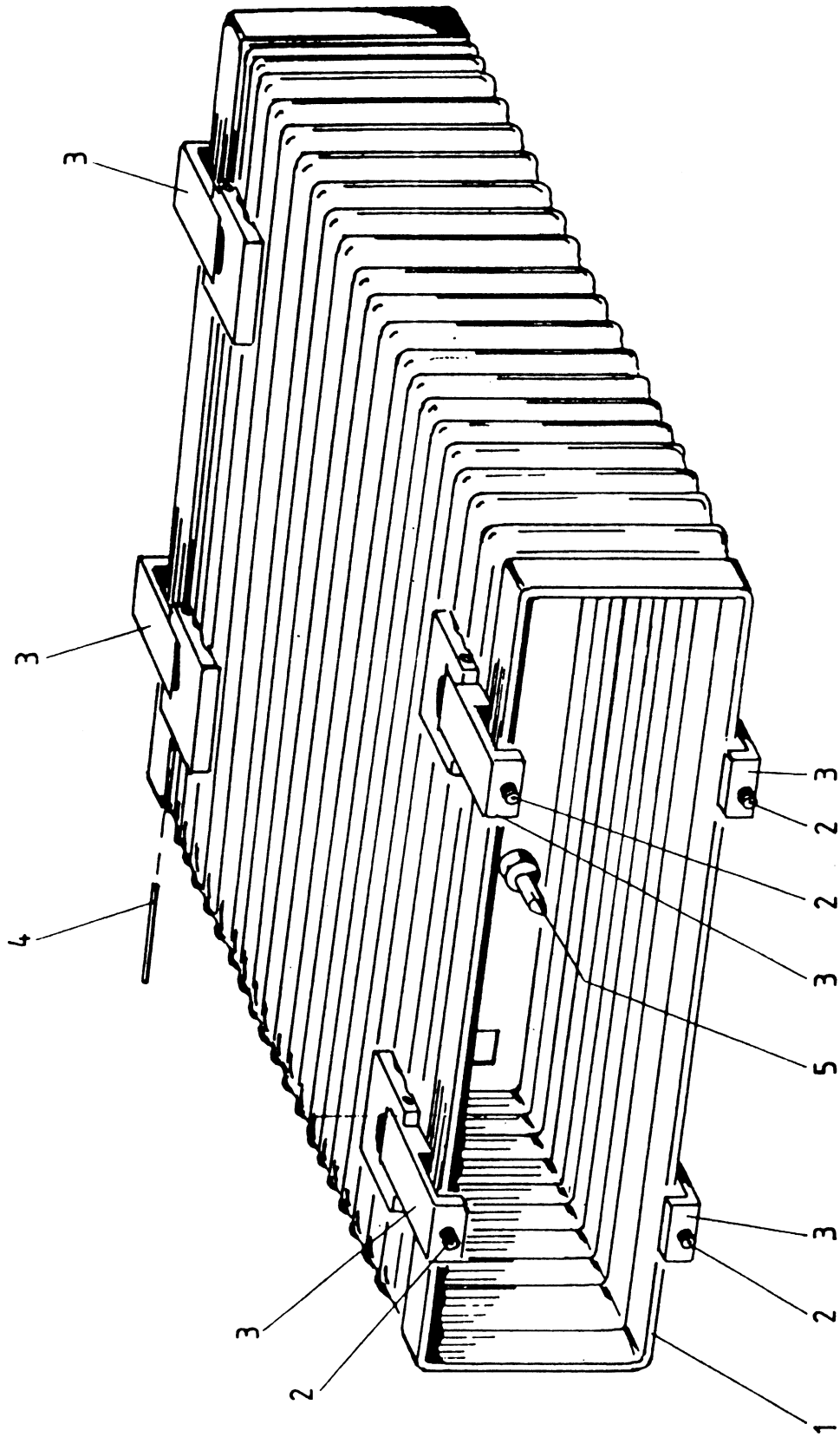


FIG.2 CABINET, ELECTRICAL EQUIPMENT (VERSION2)

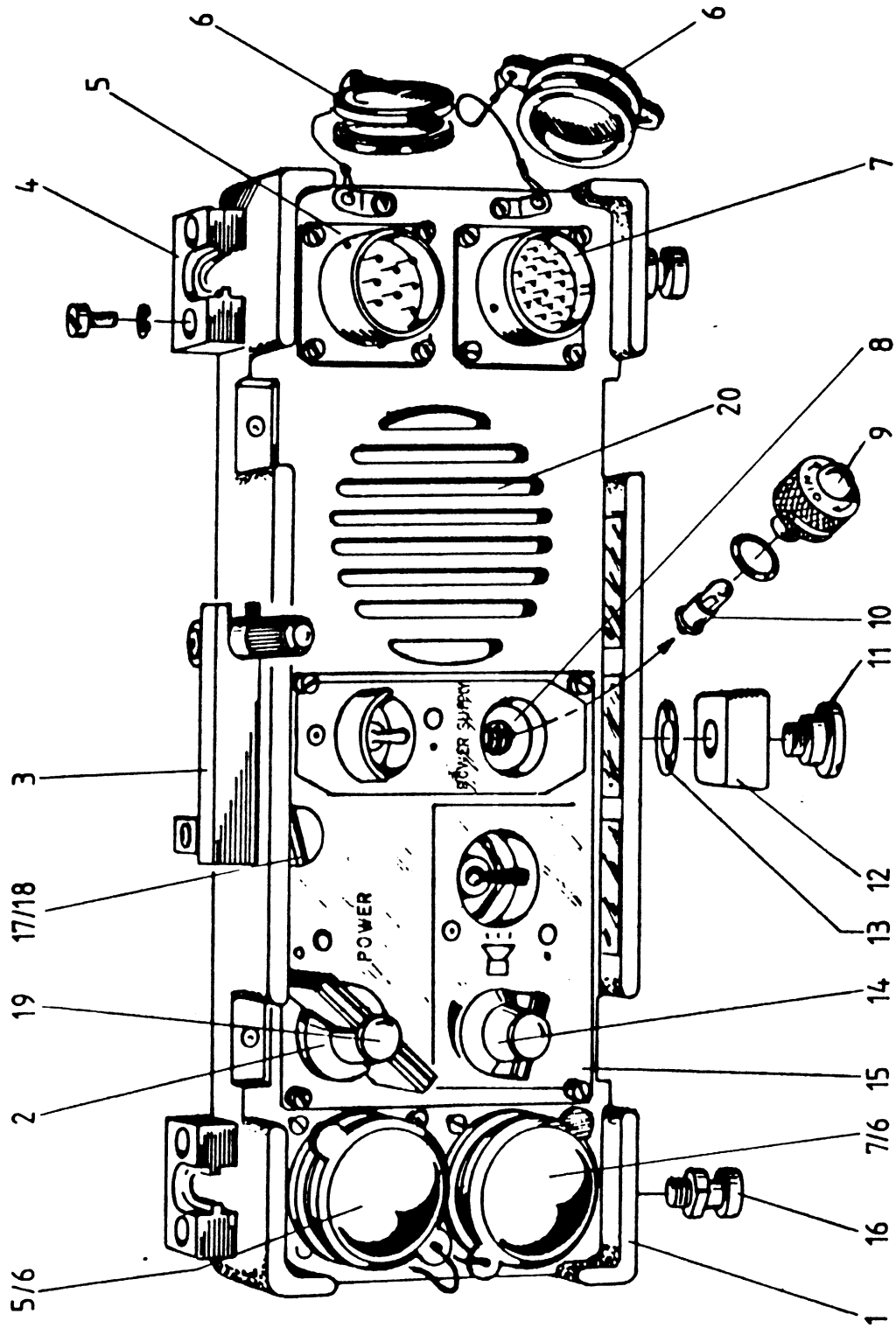


FIG.3 FRONT, LOUDSPEAKER / CONTROL UNIT AF - 4620

Repair parts list AF-4620

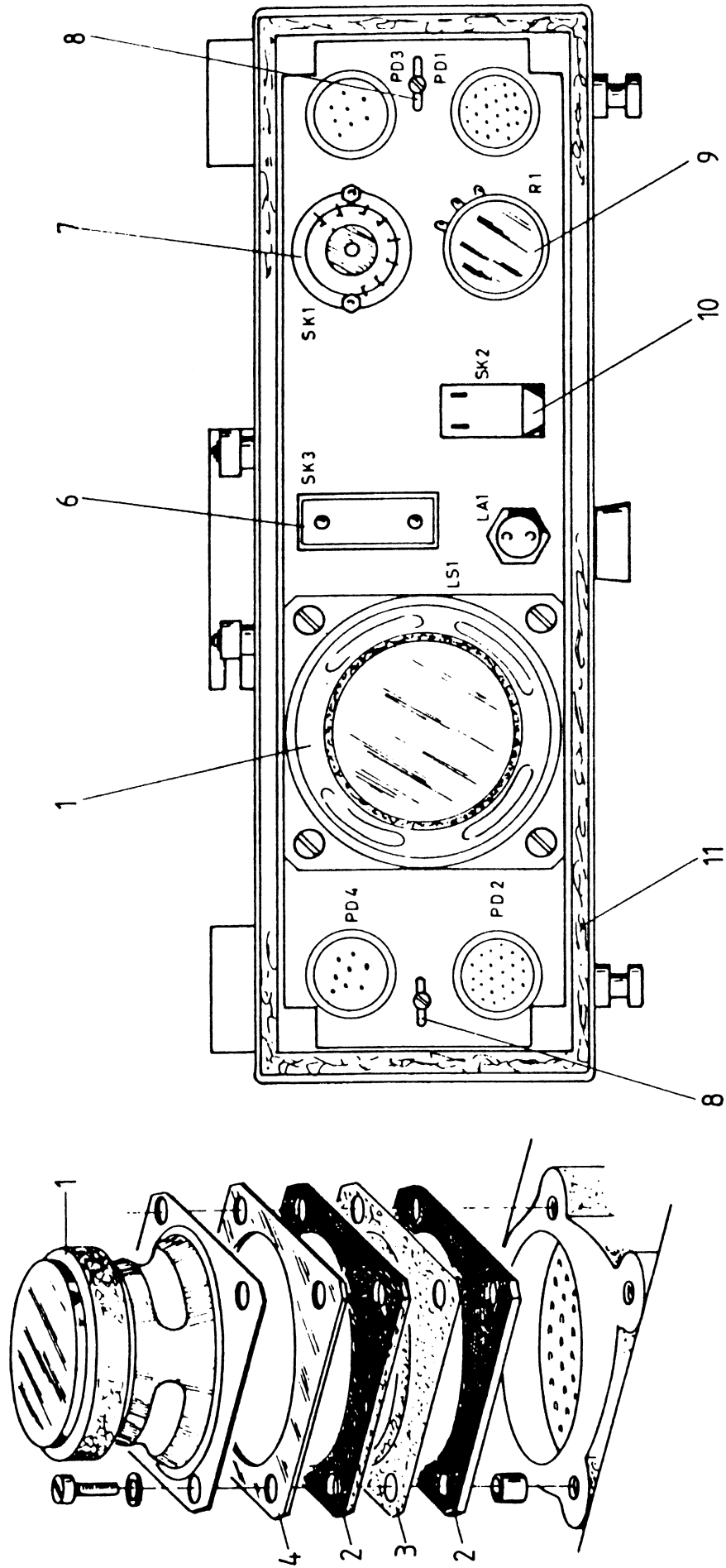


FIG. 4 FRONT, AF-4620 (INSIDE VIEW)

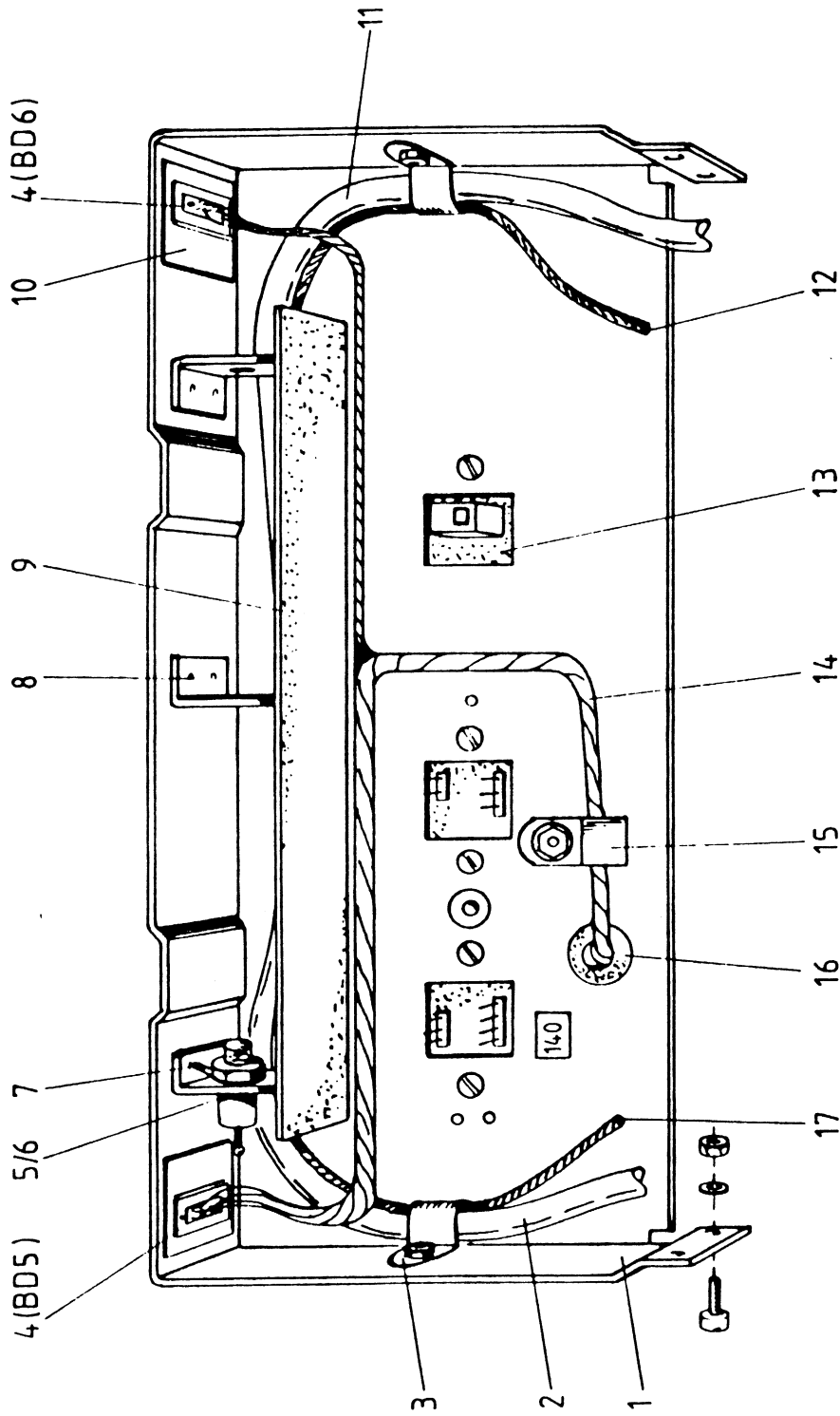


FIG.5 FRAME ASSEMBLY, AF-4620

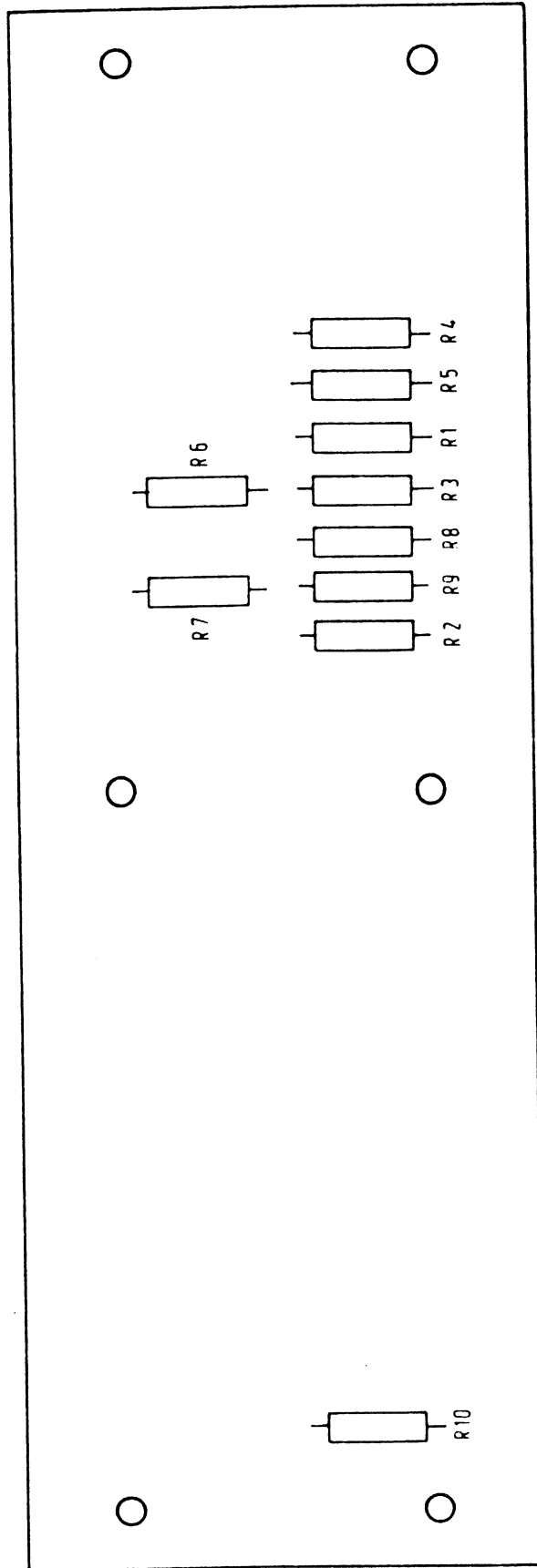


FIG. 6 PLATE ASSEMBLY 41 A

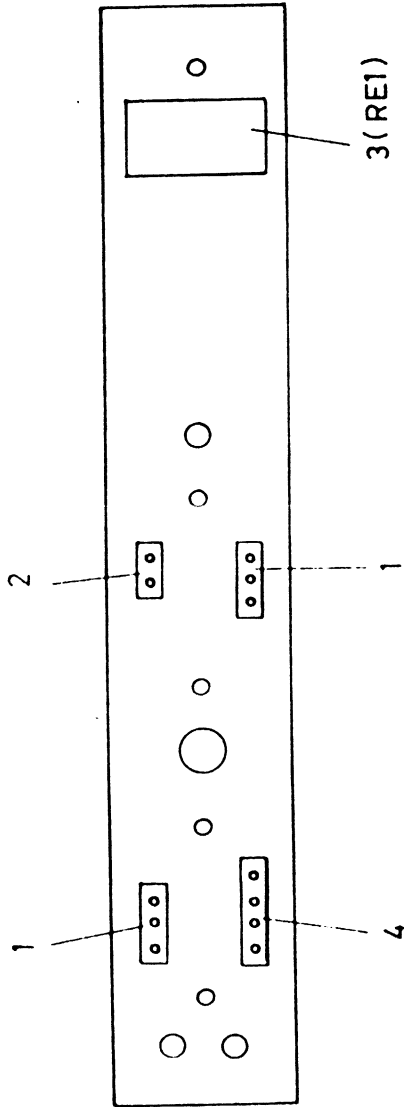


FIG. 7 PLUG PRINT SHEET ASSEMBLY FOR MODULE 140

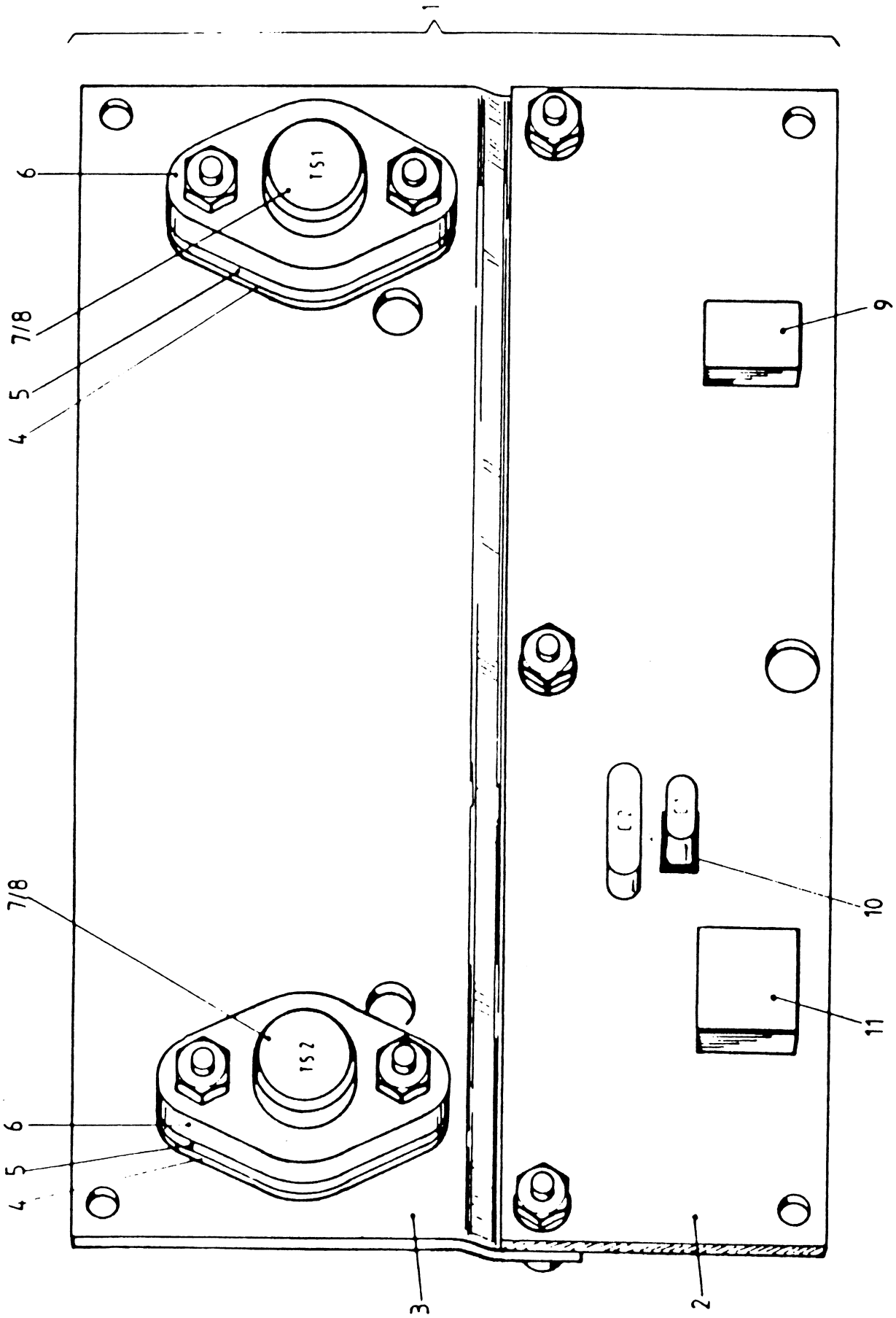


FIG 8 TRANSISTOR ASSEMBLY 40 A

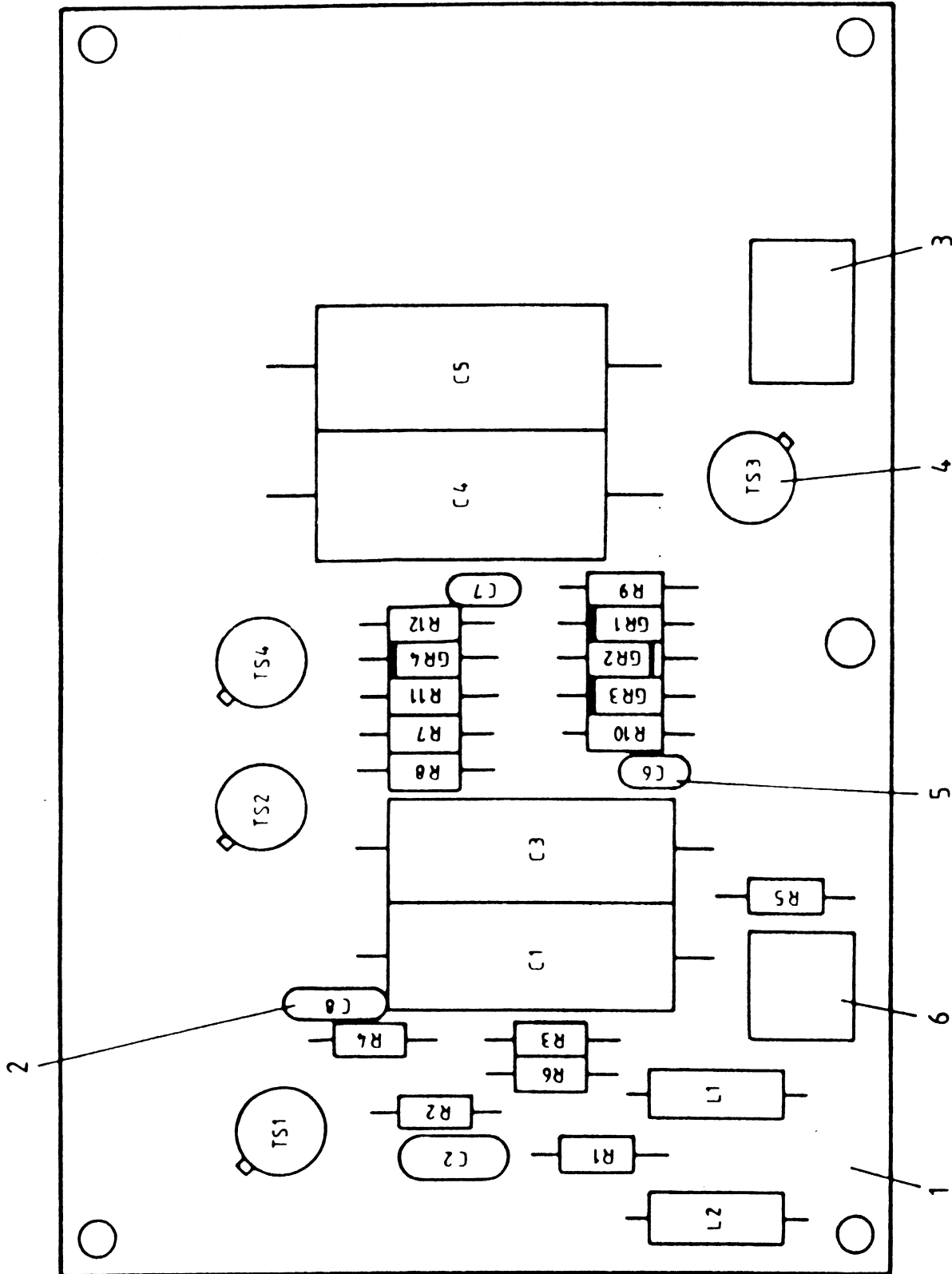
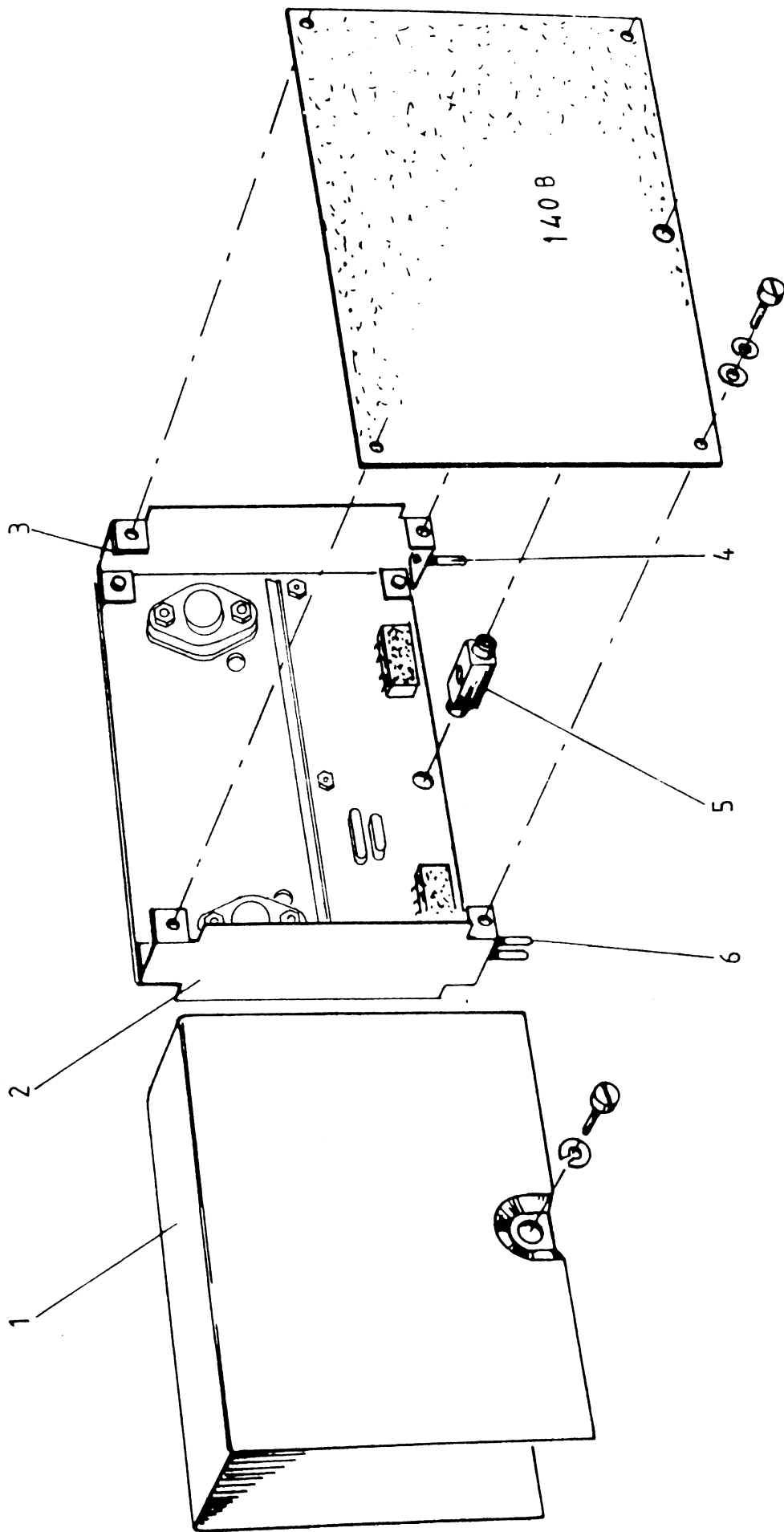


FIG. 9 - MODULE 140B, AMPLIFIER, AUDIO FREQUENCY

Repair parts list AF - 4620



HGT5-2121e

FIG. 10 — MODULE 140, EXPLODED VIEW

LOUDSPEAKER CONTROL UNIT AF 4620**- LAUTSPRECHER KONTROLLEINHEIT AF4620****Translation****- Übersetzung**

Aluminium Alloy	- Aluminiumlegierung
Amplifier, Audio Frequency	- NF-Verstärker
Black	- Schwarz
Block	- Block
Board Assembly	- Platte, Kpl.
Bracket	- Halter
Bracket, Angle	- Winkelhalter
Brass	- Messing
Bronze	- Bronze
Cable Clip	- Kabelschelle
Cabinet, Electrical Equipment	- Gehäuse
Cadmium-Plated	- Cadmiert
Capacitor, Fixed	- Kondensator, Fest
Chromium	- Chrom
Circuit Breaker	- Schutzschalter
Clamp	- Klemme
Clamp, Bottom	- Befestigungsklemme, Unten
Clamp, Bridge	- Halteklammer
Clamp, Top	- Befestigungsklemme, Oben
Connector, Receptacle, Electrical	- Steckdose
Corrosion-Resistant Steel	- Korrosionsbeständiger Stahl
Cover	- Abdeckung
Cover, Electrical Connector	- Abdeckung, Steckverbinder
Description	- Beschreibung
Fillister Head	- Zylinderkopf
Flat Fillister Head	- Zylinder-Flachkopf
Frame Assembly	- Rahmen, Kpl.
Front	- Frontplatte
Grille, Loudspeaker	- Lautsprecherabdeckung
Grommet, Rubber	- Kabeldurchführung, Gummi
Heat Sink	- Kühlblech
Indicator Light	- Anzeigelampe
Inductor	- Spule
Inside Diameter	- Innendurchmesser
Insulating Material	- Isoliermaterial
Insulator Disk	- Isolierscheibe
Insulator Plate	- Isolierplatte
Insulator Ring	- Isolerring
Knob	- Knopf
Lamp, Incandescent	- Glühlampe
Lampholder	- Lampenhalter
Length	- Länge
Lens	- Linse
Line No. (Line Number)	- Zeile
List Of Figures	- Bildtafelübersicht
Locking Plate	- Befestigungsplatte
Loudspeaker	- Lautsprecher
Loudspeaker Control Unit	- Lautsprechereinheit

LOUDSPEAKER CONTROL UNIT AF 4620**- LAUTSPRECHER KONTROLLEINHEIT AF4620****Translation****- Übersetzung**

Mfg. Code No. Module	- Teilekennzeichen - Modul
NATO Stocknumber Nickel Nickel Plated Nut, Hexagon	- Versorgungsnummer - Nickel - Vernickelt - Mutter, Sechskant
O-Ring Outside Diameter	- O-Ring - Außendurchmesser
Permanent Magnet Phosphor Bronze Pin, Pilot Pin, Shoulder, Headless Plate Plate, Designation Plate Assembly Plug, Print Sheet Assembly Post, Electrical-Mechanical Equipment	- Permanentmagnet - Phosphorbronze - Führungsstift - Bolzen mit Ansatz - Platte - Frontplatte, Beschriftet - Grundplatte - Steckerplatte - Verriegelung
Quantity	- Menge
Rearside Red Relay Resistor, Fixed, Film Resistor, Variable Ring, Retaining Rubber	- Rückseite - Rot - Relais - Widerstand, Fest - Widerstand, Veränderlich - Sprengring - Gummi
Screw Screw, Captive Screw, Set Screw, Shouldered Seal, Rubber Strip Sealing, Plate Secured With Semiconductor Device, Diode Shaft, Straight Single-Pole, Single-Throw Spacer Spacer, Sleeve Spring-Steel Steel Switch, Rotary Switch, Toggle	- Schraube - Unverlierbare Schraube - Schraubensatz - Ansatzschraube - Gummidichtung - Dichtplatte - Befestigt mit - Halbleiterdiode - Zylindrische Welle - Einpolig, Einfachgekröpft - Abstandsstück - Abstandsring - Federstahl - Stahl - Drehschalter - Kippschalter
Terminal, Lug Terminal, Lug, Double Terminal Block Thick Transistor Transistor Assembly	- Kabelschuh - Kabelschuh, Doppelt - Anschlußblock - Dicke - Transistor - Transistorbaugruppe
Washer, Flat Washer, Lock Washer, Mica Wiring Harness	- Unterlegscheibe - Zahnscheibe - Glimmerscheibe - Kabelbaum